

Overflow Ring

ENPNH_OFLOWRING



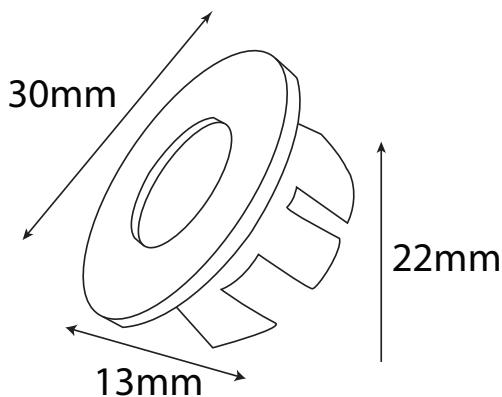
Please carefully review all installation instructions. Failure to comply with manufacturer's recommendations will void warranty.

Colour: 6 finishes available

Designed to match most popular colours

To be fitted onto basins

Our overflow rings are available in a range of on-trend finishes, designed to complement modern bathroom styles.



FINISHES & CODES AVAILABLE:

