

PRODUCT SPECIFICATIONS

PARKER BATH SPOUT - AP CHROME

PUNPBS.CP



SPECIFICATIONS

CONSTRUCTION	DZR Brass
PRESSURE TYPE	All Pressures
MINIMUM PRESSURE	35kPa
MAXIMUM PRESSURE	500kPa (as per NZ Building Code AS/NZ 3500.1)
MAXIMUM TEMPERATURE	65 Deg.C
PLUMBING CONNECTION	15mm

FEATURES

SPOUT LENGTH	170mm
SPOUT REACH	155mm

NOTES

10 year warranty.*

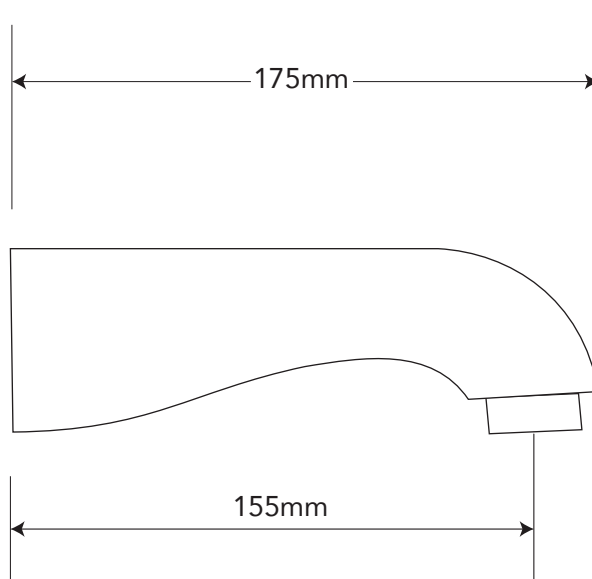
PRODUCT CODES & FINISHES



PUNPBS.CP
Chrome



View Online



EXCLUSIVE TO

HARRISON/BLOY
BATHROOMS • KITCHENS • PLUMBING

punchnz.nz

July 2025

All measurements are nominal.

*Warranty applies to residential domestic use only & is void if product is not installed according to our specifications.

**Refer to website for further information on installation guide and product options.

